



PS430 Power Supply

PS430

Power Supply
4 amps, 30 VDC

Features

- 30 VDC 4 amp unregulated motor supply
- 5 VDC $\pm 5\%$ 500 mA regulated logic power supply
- fuse protected outputs
- screw terminal AC input connector
- 120 or 240 VAC, 50-60 Hz
- power on LEDs
- screw terminal connectors
- made in USA
- ideal for use with A.M.P. step motor drives: 1335, 2035, 2035 O, 3535, 3535 O, 3540 M, 3540 MO
- includes mounting holes for 057A oscillator/interface and one 2035, 2035 O, 3535, 3535 O, 3540 M or 3540 MO drive on side panel

Description

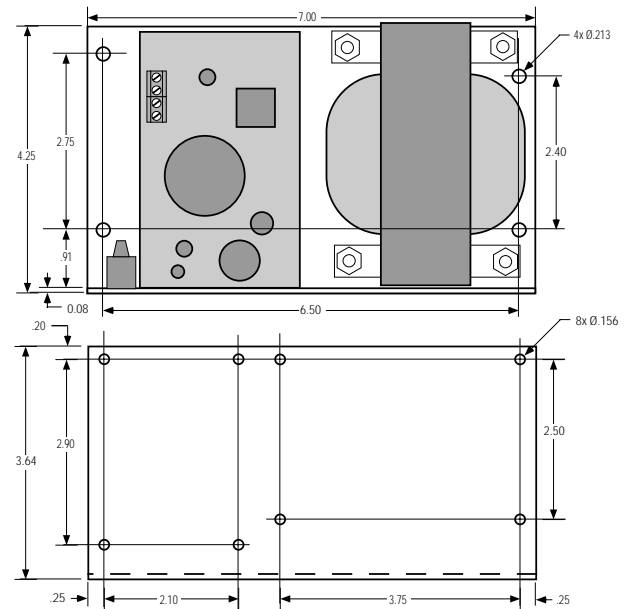
The PS430 is a linear, unregulated DC power supply designed for use with Applied Motion's step motor chopper drives model numbers 2035, 2035 O, 3535, 3535 O, 3540 M and 3540 MO. The PS430 can also be used with the 5560, 7080 or 7080i drive in applications not requiring maximum power.

The PS430 provides the user with a precise, well-regulated 5 VDC power source for logic circuitry.

This power supply is available as a PC board and transformer mounted on an aluminum angle chassis.



MECHANICAL OUTLINE



BLOCK DIAGRAM

